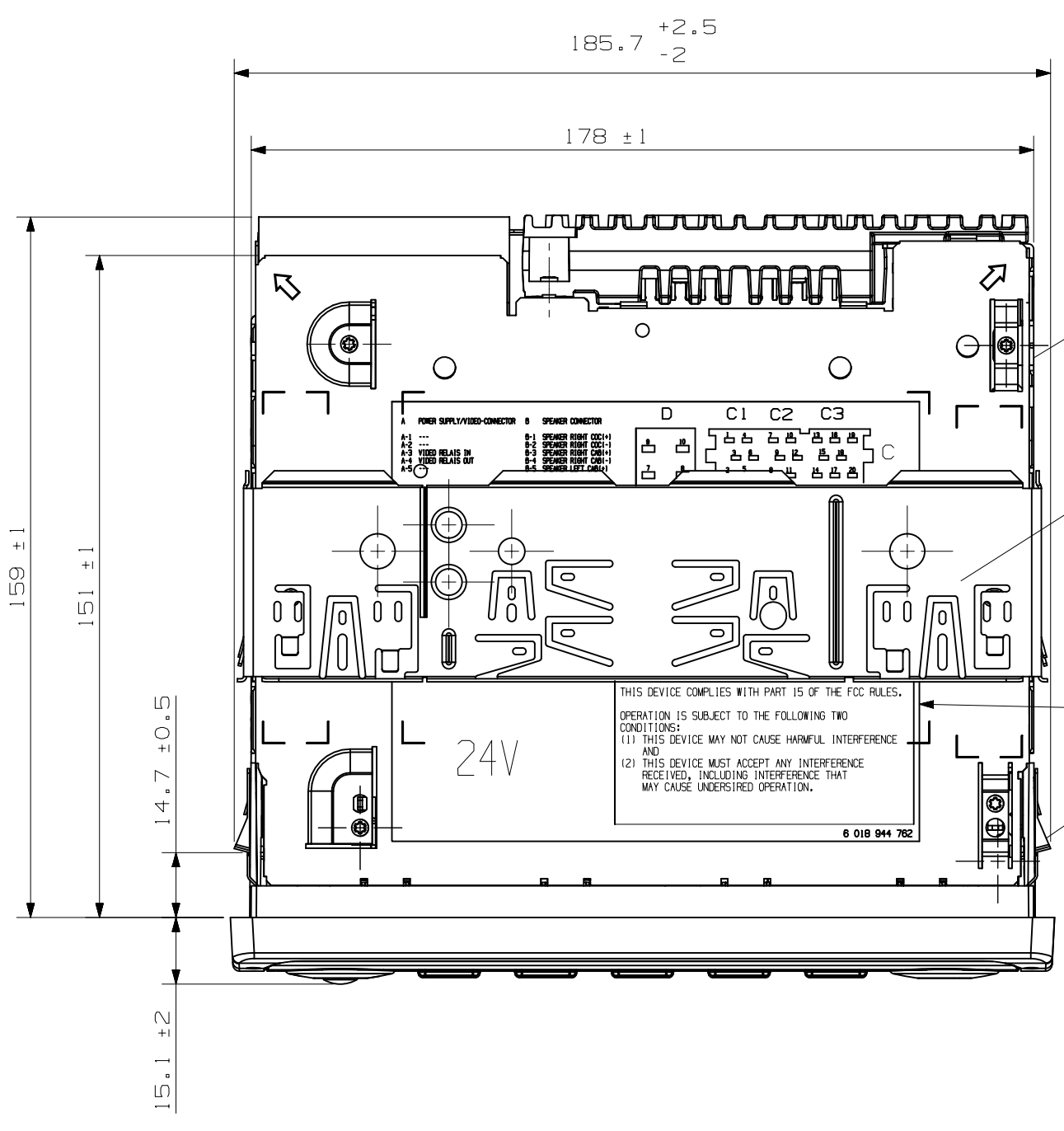
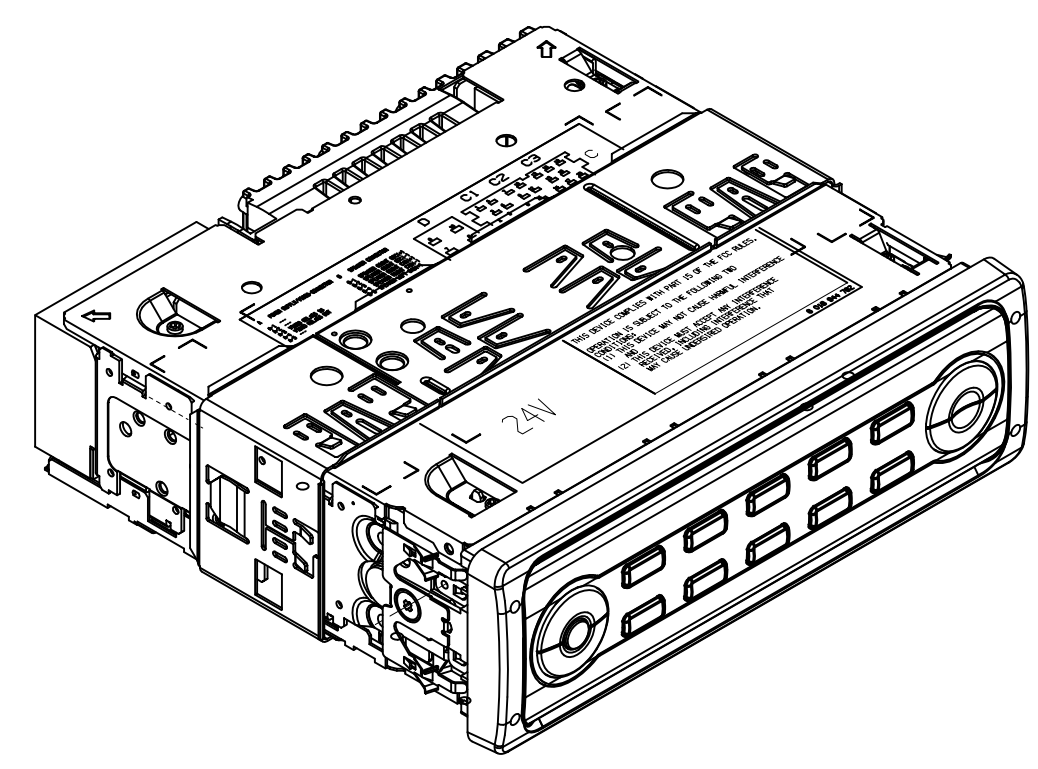
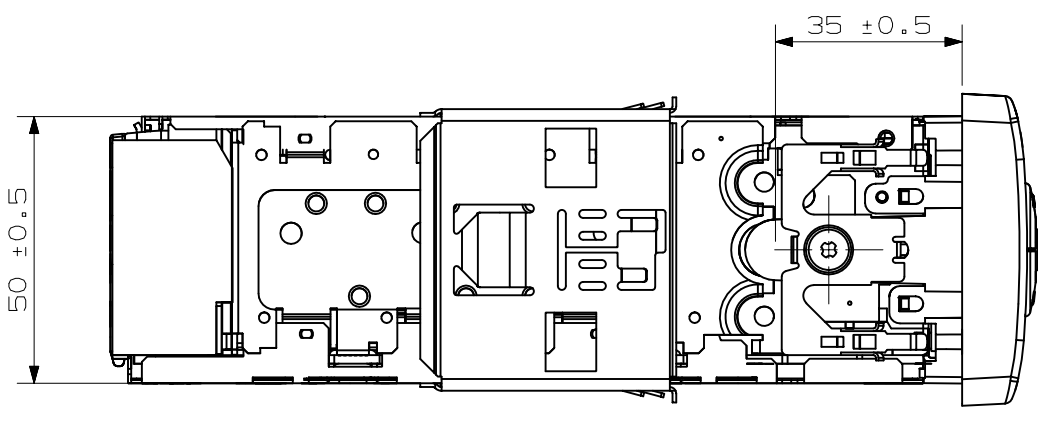
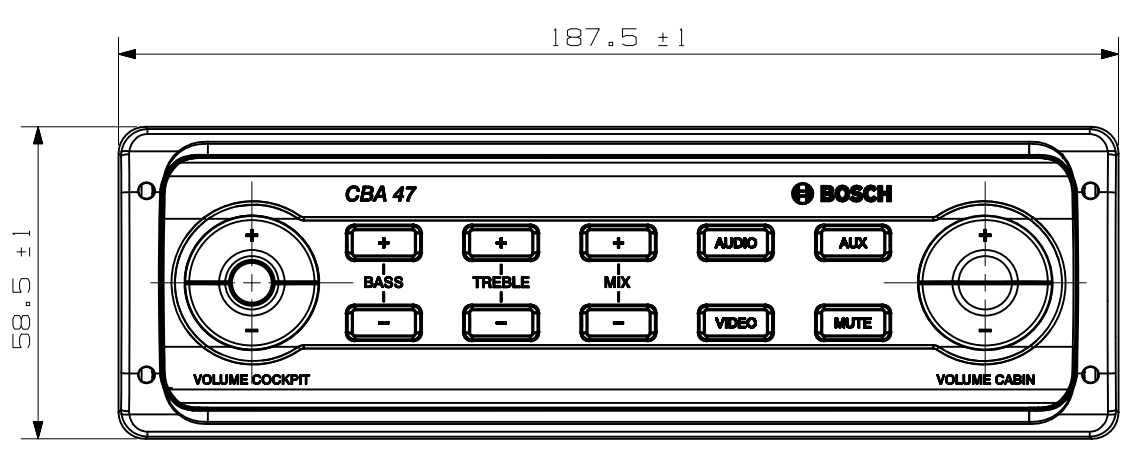


Rauheitsang. / DIN EN ISO 1302 (INIZ 03/1)	SURF. / ROUGHN.
Kanten / DIN ISO 13715 (INIZ A 4)	EDGES
Metz. / ISO	ohne Oberfl. / mit Oberfl. / W/O SURFACE / WITH SURFACE
Aussengewinde / EXT. THREAD	
Innengewinde / INT. THREAD	
Nicht tolerierte Masse / NON TOLERANCED DIMENSIONS	
0,5 > 3 > 6 > 30 > 120 > 400	
± 0,1 ± 0,15 ± 0,2 ± 0,3 ± 0,5 ± 0,8	
Rundungen, Fasern / RADI1, CHAMFERS	
± 0,2 ± 0,5 ± 1 ± 1,5 ± 2 ± 3	
Winkel, Masse der kürzeren Schenkel / ANGLES, DIM. OF THE SHORTER SIDE	
> 10 > 50 > 120 > 400	
± 1° ± 30' ± 20' ± 10' ± 5'	
Form- und Lage toleranzen / TOLERANCES OF FORM AND POSITION	
DIN ISO 2768-H (INIZ B02/1)	
Stoffe entsprechen N2580 / MATERIALS CORRESPOND TO N2580	
ISO-Grenzklasse / ISO LIM. OF SIZE	
Mass/ SIZE / Toleranzklasse / Grenzklasse / über bis / TOL. CLASS / LIM. DEVIATIONS / OVER TO	

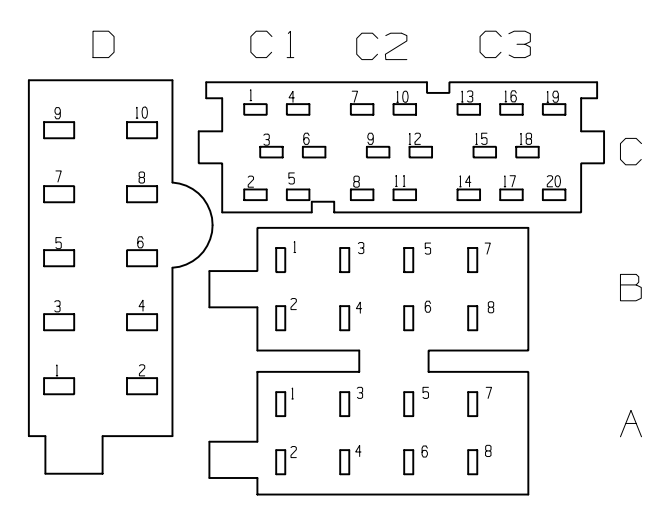


Number Sticker (Serial No. & Barcode)

Frame (8 601 310 742)

Connection Sticker

Locking spring



Parts	Colour Indication
1. Night Design Illumination - Buttons	Red
2. Night Design illumination -ON Button	Blue
3. Front Cover Printing	Grey White
4. Volume Cockpit	Black RAL 9005
5. Volume Cabin	Dark titanium
6. Pre set Buttons	Dark titanium

A POWER SUPPLY/VIDEO-CONNECTOR	B SPEAKER CONNECTOR	C1 RADIO-CONNECTOR	C2 AUX CONNECTOR	C3 VIDEO CONNECTOR	D MICROPHONE-CONNECTOR
A-1 ---	B-1 SPEAKER RIGHT COC(+)	C-1 RADIO IN RIGHT(+)	C-7 AUX AF IN LEFT	C-13 MAUS-OUT	D-1 MIC 1 AF(+)
A-2 ---	B-2 SPEAKER RIGHT COC(-)	C-2 RADIO IN RIGHT(-)	C-8 AUX AF GND	C-14 MAUS-IN	D-2 MIC 1 AF(-)
A-3 VIDEO RELAIS IN	B-3 SPEAKER RIGHT CAB(+)	C-3 RADIO GND	C-9 AUX AF IN RIGHT	C-15 VIDEO (24V)VCC	D-3 MIC 1 REMOTE
A-4 VIDEO RELAIS OUT	B-4 SPEAKER RIGHT CAB(-)	C-4 RADIO IN LEFT(+)	C-10 ---	C-16 VIDEO REMOTE	D-4 MIC 2 REMOTE
A-5 ---	B-5 SPEAKER LEFT CAB(+)	C-5 RADIO IN LEFT(-)	C-11 PHONE AF OUT	C-17 GROUND/MINUS	D-5 MIC 2 AF(+)
A-6 ---	B-6 SPEAKER LEFT CAB(-)	C-6 RADIO POWER(+12V OUT)	C-12 PHONE GND	C-18 VIDEO AF GND	D-6 MIC 2 AF(-)
A-7 BATTERY (+24V)	B-7 SPEAKER LEFT COC(+)			C-19 VIDEO AF L	D-7 MIC 1 REMOTE GND
A-8 GROUND/MINUS	B-8 SPEAKER LEFT COC(-)			C-20 VIDEO AF R	D-8 MIC 2 REMOTE GND
					D-9 ---
					D-10 ---

Drawing of product without packing.
 This drawing contains only the essential mounting dimensions.
 Further dimensions can be referred to individual drawing.
 The above dimensions and tolerances are meant for acceptance purpose.
 The additional of tolerances from individual part drawing will result in lower values.

Fehl. Angaben/ MISS. DETAILS	Oberfläche / SURFACE	Maßstab / SCALE 1:1(1:2)	Gewicht / WEIGHT
1. Verwendung/ 1ST APPLICAT.	Dokumentart/ DOCUMENT TYPE	Stoff/MAT'L	
Stückliste besonderes Blatt/ PARTS LIST ON SEPARATE SHEET		aus/ FROM	
gr./Sz. / VOLUME	Datum/ DATE	Name/ NME	TITLE
gez./DK 11.08.2009		Suj	
gez./DK 11.08.2009		Omp	
gez./MP 11.08.2009		UT	
Original: RBE1/ENB3			
DIN A1			
BOSCH		Nr./ NO.	Blatt / SHEET 1
7 620 210 014		de/en	1 / 11/SH
Nr. / Änderung / CHANG.	gez. / DIN.	gültig / VALID	ger. / CK.
Ers./ REPLACES		Ers.d./ REPLAC.BY	

© Alle Rechte bei Robert Bosch GmbH, auch über den Fall von Schutzrechtsverletzungen, alle Veräußerungsrechte, die Rechte an Marken und Patentrecht, bei den...
 © THIS DRAWING IS THE EXCLUSIVE PROPERTY OF ROBERT BOSCH GMBH. WITHOUT THEIR CONSENT IT MAY NOT BE REPRODUCED OR GIVEN TO THIRD PARTIES.
 Weitere Fremdspr. Zeichnungen / FURTHER FOREIGN LANGUAGE DWS
 01/2010 110.2009 1 A1

OBSERVE INSTRUCTIONS FOR FILLING OUT INIZ D1/1